



एन एस आई सी  
N S I C

**NSIC TECHNICAL SERVICES CENTRE**  
The National Small Industries Corporation Ltd.  
(A Government of India Enterprise)  
Okhla Phase-III, (Near Govind Puri Metro Station)  
New Delhi - 110020.

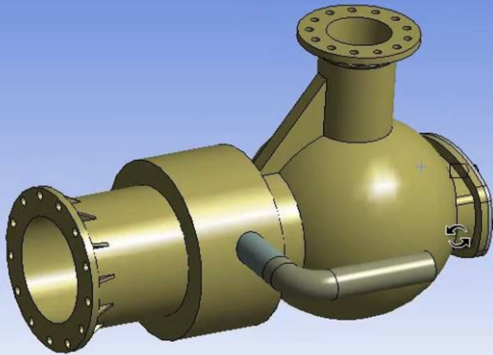
Under Ministry of MSME Government of India

**ADMISSION OPEN**

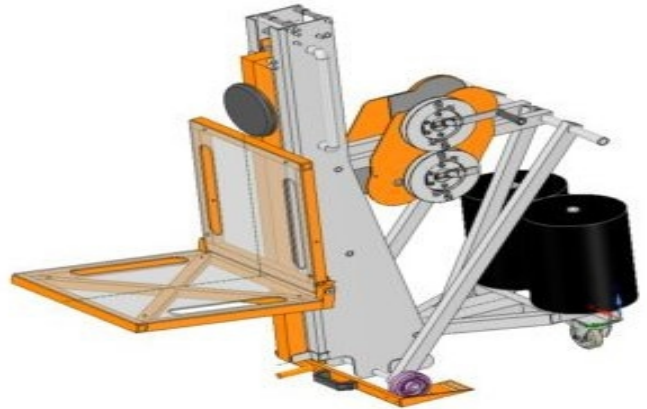
## 3D MODELING & ANALYSIS

**3D Modeling using spaceclaim: Based on 3D Solid and Surface + Sheet Metal & Assembly + Detailing & Annotation + Measure & Repair**

3D MODELING USING DESIGN MODULAR

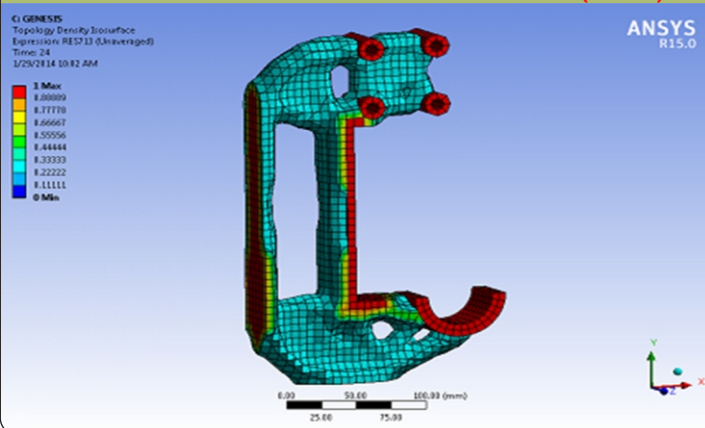


3D MODELING USING SPACECLAIM

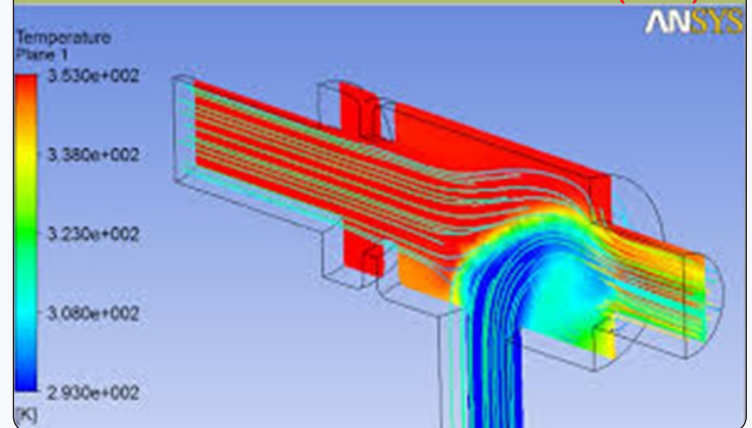


**ANALYSIS: Based on Computer Aided Engineering (CAE) + Computational Fluid Dynamics (CFD)**

COMPUTER AIDED ENGINEERING (CAE)



COMPUTATIONAL FLUID DYNAMICS (CFD)



**For more details please contact:-**  
**Mob. No.: 9968924453, 9971925196**  
**Tel: - 011-41009357, 011-26826801 (Ext.. 220 & 221)**